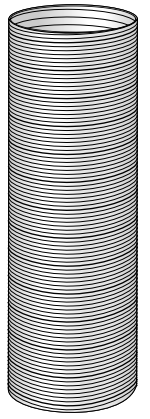


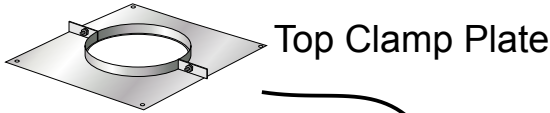
REFLEX

Double Ply Stainless Steel Flue Lining System For Multifuel Appliances



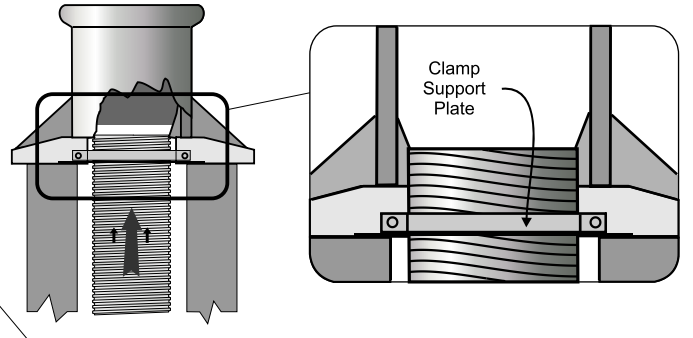
Stove Pack

This pack contains a Flue Liner, a Flexible Pipe Adaptor, a Top Fixing Plate and Clamp, and a Nose Cone.



Top Clamp Plate

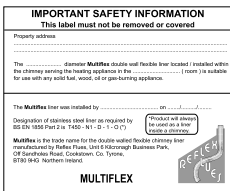
Terminate the liner by either clamping a Rain Cap to the top of the liner, or by using a conventional chimney pot, which must be securely located. In either case, the arrangement should be finished with a suitable acid resistant cement as a seal and sloping weather-proof render. If a pot is used, use the same cement mix, or fire cement, to fill and slope off the gap between the outside of the liner and the inside of the pot.



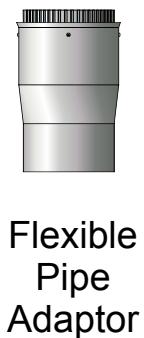
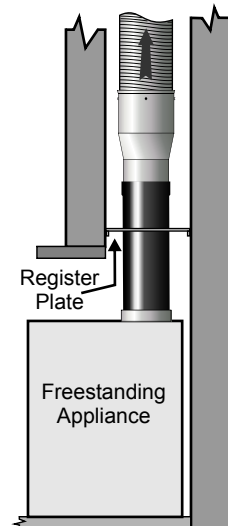
Note that the liner is marked at intervals with arrows. These must always point from the appliance to the terminal when the liner is installed to prevent debris and condensation from entering the gap in the double wall construction.



After the liner has been installed, complete the supplied data plate and secure it to an accessible position in the dwelling, e.g. adjacent to a supply meter.



Where the liner serves a freestanding appliance in a very large builders opening, use a register plate, (available separately), to close off the bottom of the chimney. Connect and seal the liner to the flue pipe above the register plate by using the Flexible Pipe Adaptor. Seal the edges of the register plate to the outside of the flue pipe with fire cement.



Flexible Pipe Adaptor

Reflex Flues

Unit 6 Kilcronagh Business Park, Off Sandholes Road, Cookstown. Co. Tyrone, BT80 9HG Northern Ireland.

Tel: 028 867 58628

Fax: 028 867 69241

Web: www.mylvelystove.co

Reflex Flues is a Division of Excel Plumbing Products (N.I.) Ltd

